

BATTERY OPERATED HYDRAULIC CUTTING TOOL
COUPLE-CABLE HYDRAULIQUE SUR BATTERIE
HYDRAULISCHES AKKU-SCHNEIDWERKZEUG
HERRAMIENTA HIDRÁULICA DE CORTE A BATERÍA
UTENSILE OLEODINAMICO DA TAGLIO A BATTERIA

EN

FR

DE

ES

IT



B-TC400ND-SC | B-TC400ND-SCA | B-TC400ND-SCE
B-TC500ND-SC | B-TC500ND-SCA | B-TC500ND-SCE

OPERATION AND MAINTENANCE MANUAL.....	5
(Translation of the original instructions)	
NOTICE D'UTILISATION ET ENTRETIEN.....	14
(Traduction des instructions originales)	
BEDIENUNGSANLEITUNG.....	23
(Übersetzung der Originalanleitung)	
MANUAL DE USO Y MANTENIMIENTO.....	32
(Traducción de las instrucciones originales)	
MANUALE D'USO E MANUTENZIONE.....	41
(Istruzioni originali)	

FIG./BILD 1

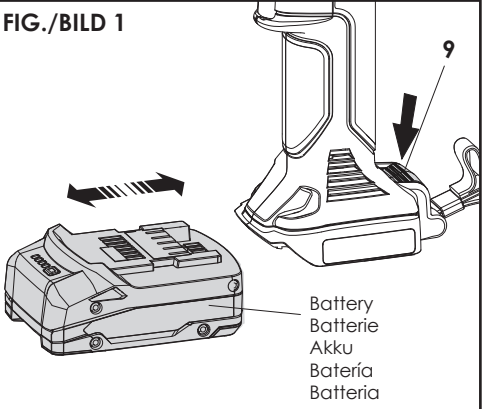


FIG./BILD 2

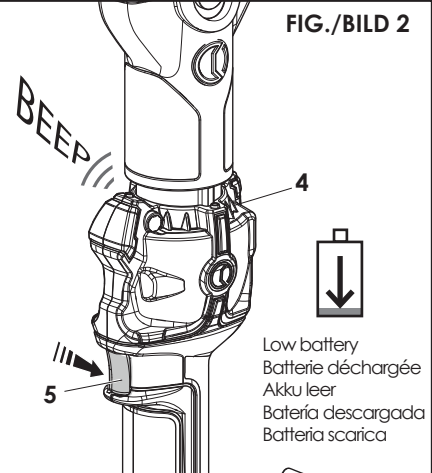
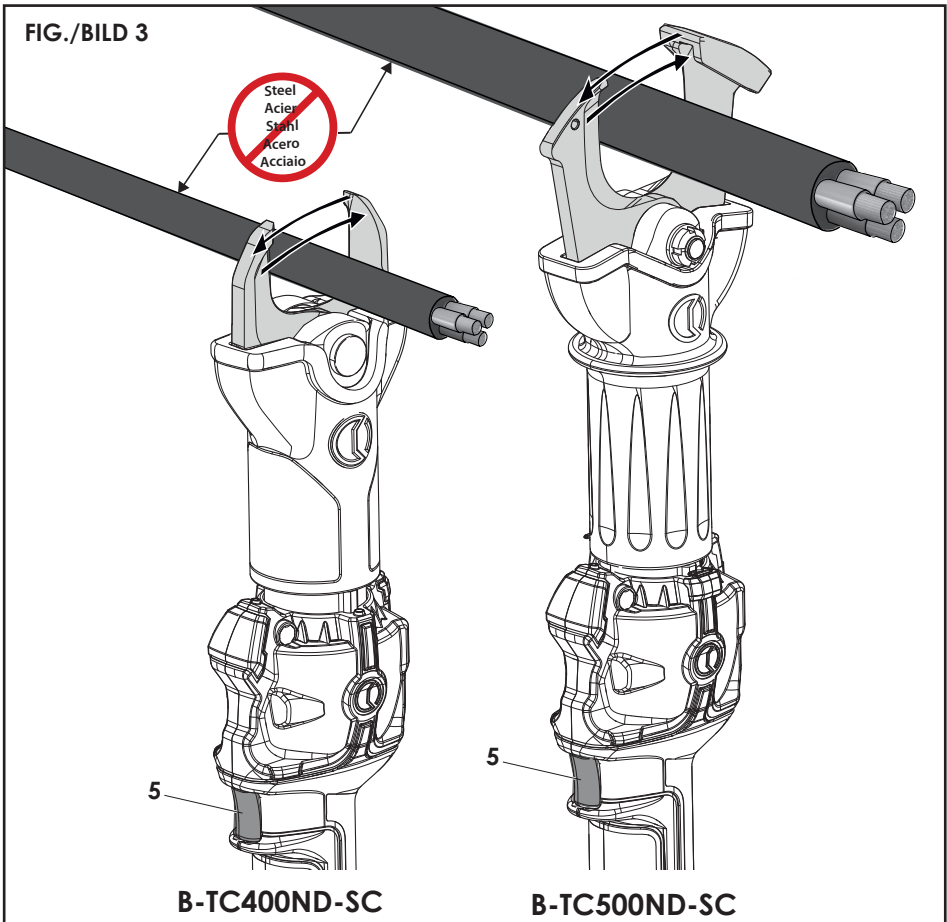


FIG./BILD 3



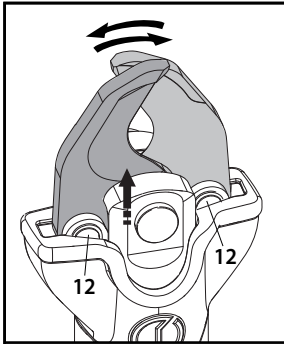
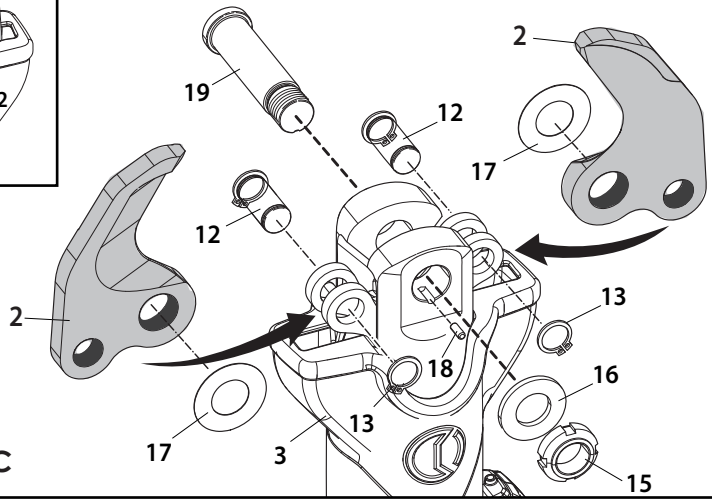


FIG./BILD 4a

FIG./BILD 4



B-TC400ND-SC

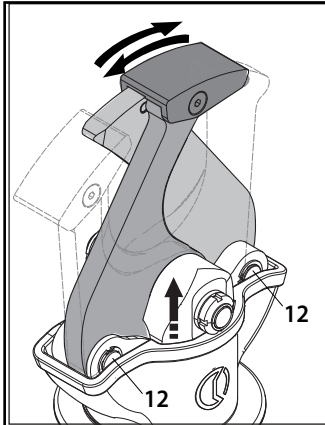
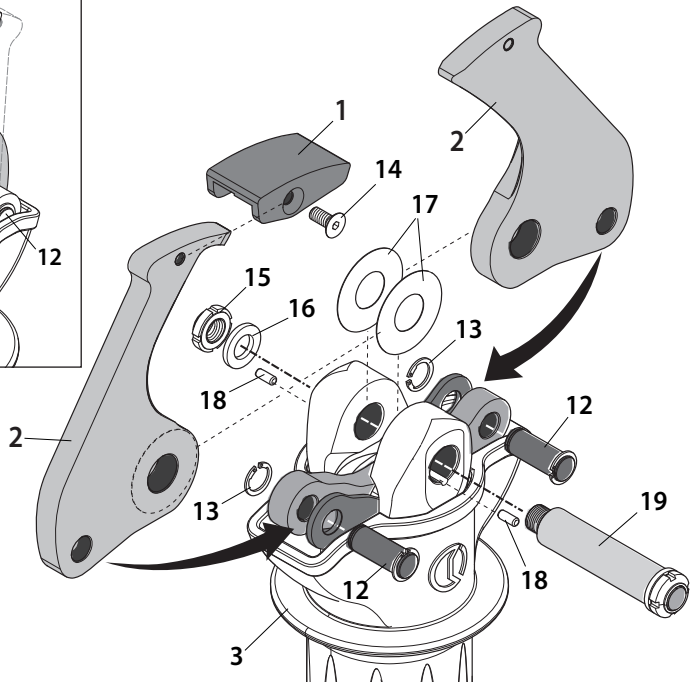


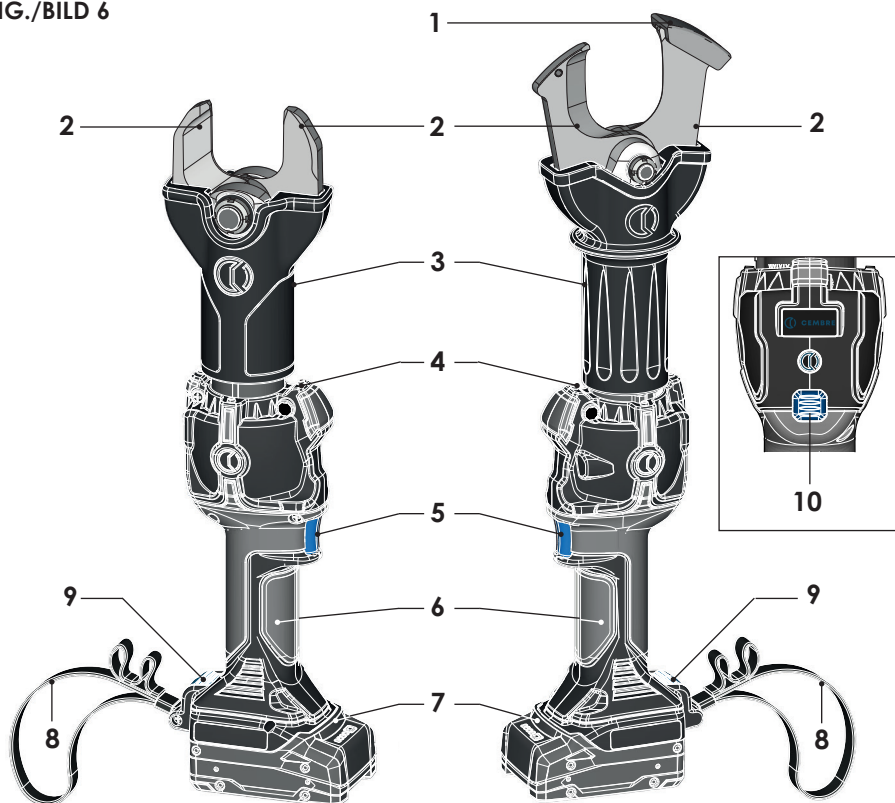
FIG./BILD 5a

FIG./BILD 5





B-TC500ND-SC

FIG./BILD 6



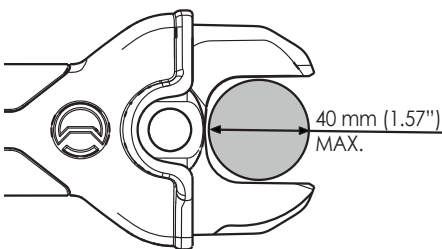
1	BLADE GUIDE / GUIDE LAME / MESSERFÜHRUNG / GUIA CUCHILLA / GUIDA LAMA
2	BLADE / LAME / SCHNEIDMESSER / CUCHILLA / LAMA
3	RUBBER HANDGRIP / POIGNEE EN CAOUTCHOUC / GUMMIMANSCHETTE / EMPUÑADURA DE GOMA / IMPUGNATURA IN GOMMA
4	LED WORKLIGHT / ECLAIRAGE PAR LED / LED-BELEUCHTUNG / LUCES LED / ILLUMINAZIONE LED
5	OPERATING BUTTON / GÂCHETTE DE COMMANDE / STARTKNOPF / BOTÓN DE ACCIONAMIENTO / PULSANTE DI AZIONAMENTO
6	HANDLE / POIGNEE / GRIFF / EMPUÑADURA / IMPUGNATURA
7	BATTERY / BATTERIE / AKKU / BATERÍA / BATTERIA
8	WRIST STRAP / DRAGONNE / HANDTRAGERIEMEN / CORREA PARA LA MUÑECA / CINTURINO DA POLSO
9	BATTERY RELEASE / DEBLOCAGE BATTERIE / AKKU ENTRIEGELUNG / DESBLOQUEO BATERÍA / SBLOCCO BATTERIA
10	PRESSURE RELEASE BUTTON / GÂCHETTE DE DECOMPRESSION / DRUCKABLASSKNOPF / BOTÓN DE DESBLOQUEO PRESIÓN / PULSANTE DI RILASCIO

1. GENERAL CHARACTERISTICS

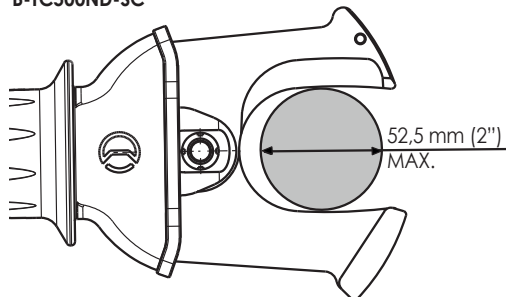
Application range		suitable for cutting Copper, Aluminium or telephone cables  Do not cut live cables or conductors.  Do not cut Steel.
Operating pressure	bar (psi)	620 (8,900) B-TC400ND-SC 605 (8,700) B-TC500ND-SC
Dimensions	mm (inches)	466 x 111 x 80 (18.3 x 4,37 x 3.15) B-TC400ND-SC 526 x 129 x 81 (20.7 x 5,07 x 3.19) B-TC500ND-SC
Max. cutting diameter	mm (inches)	40 (1.57") B-TC400ND-SC 52,5 (2") B-TC500ND-SC
Weight with battery	kg (lbs)	3,55 (7,81) B-TC400ND-SC 3,91 (8,60) B-TC500ND-SC
Motor	V ---	18
Operating temperature	°C (°F)	-15 a +50 (+5 a +122)
Recommended oil		TOTAL DIEKAN 1640 or equivalents
Operating speed		twin speed operation and automatic switching from a rapid advancing speed of the ram to a slower, more powerful cutting speed
Safety		maximum pressure valve
Storage case	type	VAL-M/X1
Dimensions	mm (inches)	596x396x185 (20.5x17x5)
Weight	kg (lbs.)	4,6 (10.1)
Acoustic noise ⁽¹⁾		
L _{pA}	dB (A)	68,5
L _{pCPeak}	dB (C)	87,3
L _{WA}	dB (A)	75,2
Vibration ⁽²⁾	m/s ²	a _{hv} 1,015

EN

B-TC400ND-SC



B-TC500ND-SC



⁽¹⁾ Directive 2006/42/EC, annexe 1, point 1.7.4.2 letter u

L_{pA} = weighted continuous acoustic pressure level equivalent.

L_{pCPeak} = maximum value of the weighted acoustic displacement pressure at the work place.

L_{WA} = acoustic power level emitted by the machine.

⁽²⁾ The vibration emission during actual use of the tool can differ from the declared total value depending on the ways in which the tool is used and of the need to identify safety measures to protect the operator that are based on an estimation of exposure in the actual conditions of use. Estimation of exposure is performed taking account of all parts of the operating cycle such as the times when the tool is switched off and when it is running idle in addition to the trigger time.

2. COMPLIANT USE

- The device is a hydraulic tool intended exclusively for cutting conductors of the type and with the cross-section shown in the § 1 "Application range".
- Any use other than this is considered improper use. The manufacturer/supplier is not liable for damage resulting from improper use. The risk is the sole responsibility of the user.
- The device was manufactured according to the current state of the art and commonly recognised technical safety rules and standards. Nevertheless, physical risks to the user or others, as well as damage to the device and other material goods, cannot be completely ruled out during its use.
- The device may only be used if in a perfect technical condition, in accordance with its intended purpose, with proper safety and hazard awareness and in compliance with the instructions.
- The concept of compliant use also includes full observance of the instructions, including maintenance recommendations/standards provided by the manufacturer.

DISCLAIMER: PRODUCTS INTENDED FOR PROFESSIONAL USE

Cembre products are intended for professional users (B2B). The applicability of consumer protection regulations, including those related to warranty, is expressly excluded. Please refer to the manufacturer's website, www.cembre.com, for any information regarding product terms and conditions of sales and warranty.

The sale of Cembre products through channels accessible to consumers is expressly prohibited, and vendors who contravene this prohibition will assume all civil and criminal liability towards third parties and the competent authorities.

Definitions: Safety guidelines

A list and definition of the warning words that may be used in this document is provided below. The warning words indicate the type, severity, and consequences that may result from failure to comply with safety measures.

⚠ DANGER

indicates a situation of imminent risk which, if not avoided, will result in death or serious personal injury.

⚠ WARNING

indicates a situation of potential risk which, if not avoided, may result in death or serious personal injury.

⚠ CAUTION

indicates a situation of potential risk which, if not avoided, may result in minor or moderate personal injury.

NOTICE

indicates important information or procedures to be followed that will not result in personal injury but, if not avoided, may result in damage to items or property.

⚠ WARNING Read all safety warnings, instructions, illustrations and specifications provided with this tool.

Failure to follow all instructions may result in material damage and/or serious injury.

Save all warnings and instructions for future reference.

3. INSTRUCTIONS FOR USE

The part reference includes the following:

- Hydraulic cutting tool.
- Li-Ion rechargeable battery.
- Battery charger (model depends on the tool version).
- Shoulder strap.
- Carrying case.
- USB cable.

The tool can be easily carried using either the handle or the shoulder strap attached to the two eyelets of the wrist strap.

NOTICE Before starting any work, check the battery charge and recharge if necessary, following the instructions in the battery charger user manual (Ref. to § 4.1).

To replace the battery, remove it by pressing the release button (Ref. to Fig. 1), then insert the new battery, sliding it into the guides until it locks.

3.1) Head rotation

For ease of operation, the tool head can rotate, allowing the operator to work in the most comfortable position.

NOTICE Do not attempt to rotate the head when the hydraulic circuit is pressurised.

3.2) Setting

- Insert the conductor between the blades, up to the desired cutting point (Ref. to Fig. 3).

3.3) Blade advancement

- Press the operating button (5) (Ref. to Fig. 3) to activate the motor-pump, the ram will gradually move forward until the blades touch the conductor.
- To halt the advancement, release the operating button (5) and the motor will cut out.

NOTICE Make sure the blade is exactly positioned on the desired cutting point otherwise re-open the blade following instructions as per § 3.6 and reposition it.

3.4) Cutting

- Firmly hold the tool and operate the push-button (5) to gradually move the blades to cut through the conductor.
- When the cut is performed release the button (5).

3.5) LED Worklights

Whilst the tool is in operation, the work area is illuminated by two high luminosity LED Worklights that switch off automatically at the end of the cycle.

3.6) Blade retraction

By operating the pressure release button (10), the ram will retract and open the blades.

NOTICE In the event that the blades become blocked by conductor strands, pressing the pressure release button (10) may cause the ram to retract without reopening the blades. Carefully remove the blockage with, if necessary, a few gentle taps of a rubber hammer on the blades. Reconnect the blades to the ram by operating the tool until the maximum pressure valve has activated, then press the release button to verify correct operation has been restored.

3.7) Using the battery charger

Carefully follow the instructions in the battery charger user manual.

4. BATTERY AND CHARGER

Safety instructions for batteries:



- Protect battery from water and moisture!
- Do not expose batteries to naked flames!



- A slightly acidic, flammable fluid may leak from defective Li-Ion batteries!
- If battery fluid leaks out and comes into contact with your skin, rinse immediately with plenty of water. If battery fluid leaks out and comes into contact with your eyes, wash them with clean water and seek medical attention immediately!



- At the end of their life, always recycle batteries.
- Never discard batteries with domestic waste. They must be sent to appropriate collection centres for disposal.

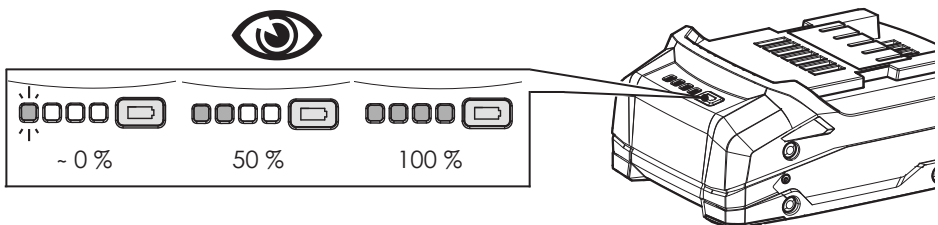
- Do not use faulty or deformed batteries!
- Do not open batteries!
- Do not touch or short circuit battery contacts!
- If the machine is defective, remove the battery from the machine.
- Remove the battery from the machine to transport the machine.

The tool can be equipped with 2.0 Ah or 5.2 Ah battery:

Rechargeable battery	type	CB1820L (Li-Ion)	CB1852L (Li-Ion)
Characteristics	V / Ah / Wh	18 / 2.0 / 36	18 / 5.2 / 93.6
Weight	kg (lbs)	0,4 (0.9)	0,66 (1.45)

4.1) Battery status

- The battery is equipped with LED indicators that indicate the remaining battery life at any time by pressing the adjacent button:
 - 1 LED flashing: minimum charge, replace the battery
 - 2 LEDs illuminated: 50 % capacity
 - 4 LEDs illuminated: fully charged



- For tools equipped with a display only, with the battery inserted into the tool, the remaining battery life can also be checked on the display, via touch button selection:



NOTICE The follow screen shown indicates that the battery voltage has dropped below a minimum safety threshold; under these conditions the tool will not start, and it is necessary to recharge or replace the battery.



- To replace the battery, remove it by pressing the release button, then insert the new battery, sliding it into the guides until it locks.

4.2) Using the battery charger

Depending on the model, the tool can be equipped with one of the following battery chargers:

Battery charger	type	ASC55-EU	ASC55-UK	ASC55-AUS/NZ	ASC55-USA/CA
Input	V / Hz	220 - 240 / 50 - 60			115 / 60
Power	W	85			
Power plug	type	EU - type C	UK - type G	AUS - type I	US - type A

- Carefully follow the instructions in the battery charger user manual.
 The approximate time to fully recharge a battery is:
- about 40 minutes for CB1820L batteries
 - about 100 minutes for CB1852L batteries

5. MAINTENANCE

⚠ WARNING Electrical hazard - Remove the battery from the tool before performing any maintenance. Always disconnect the battery charger after use.

⚠ WARNING Chemical hazard - Do not disassemble the battery or tool.

NOTICE Contact a CEMBRE service centre if necessary.

The tool is robust, completely sealed, and requires very little daily maintenance. Compliance with the following points, should help to maintain its optimum performance.

5.1) Thorough cleaning

Dust, sand and dirt are a danger for any hydraulic device.

Every day, after use, the tool must be wiped with a clean cloth taking care to remove any residue, especially close to pivots and moveable parts.

Do not use hydrocarbons to clean the rubber parts.

5.2) Cleaning of the rubber handgrip

To avoid the accumulation of swarf inside the rubber handgrip, (3) periodically fold back the handgrip near the blades and carefully brush out any debris.

5.3) Storage case

When not in use, the tool should be stored and transported in the case, to prevent damage.

5.4) Routine maintenance

When the tool reaches the predetermined number of hours worked, it will signal via an audible alarm that routine maintenance is recommended.

NOTICE The tool will continue to work, however 15 sec. after use an alarm comprising 3 beeps combined with illumination of the worklights will signal that its return to CEMBRE for service is recommended.

6. BLADE REPLACEMENT (Ref. to Fig. 4 and 5)

⚠ WARNING

Mechanical hazard - When changing blades, the battery must first be removed from the tool.

After extended use, the blades may lose their cutting edge.
Replace the blades as follows:

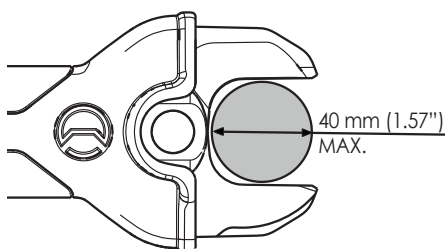
- Operate the motor so to advance the ram until the pins (12) of the blades are visible (Fig. 4a/5a) and then remove the battery.
- Remove circlips (13) and extract the pins (12); to ease the operation it may be necessary to fold back the rubber hand grip (3).
- Remove the nut (15), 2 spacers (17), 2 pins (18) so to extract the central pin (19) and free the blades.
- **B-TC500ND-SC:** Disassemble the blade guide (1) keeping aside the screw (14).
- Assemble the new blades (2) the pivot (19) and pins (18).
- Lock the pin (19) with the nut (15) washer (16) and spacer.
- Assemble the 2 pins (12) and locking them with circlips (13).
- **B-TC500ND-SC:** Assemble the blade guide (1).
- At the end of the operation, press on the pressure release button to withdraw the ram.

EN

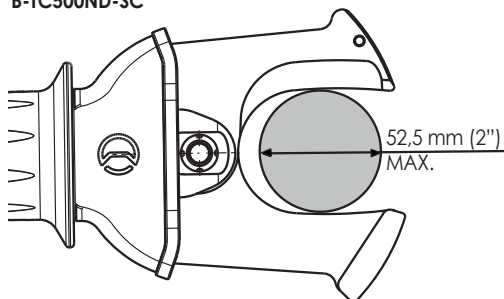
1. CARACTERISTIQUES GENERALES

Domaine d'application		conçu pour sectionner des câbles en cuivre, aluminium ou téléphoniques ⚠ Ne pas couper de câble sous tension électrique. ⚠ Ne pas couper l'acier.
Pression de travail	bar (psi)	620 (8,900) B-TC400ND-SC 605 (8,700) B-TC500ND-SC
Dimensions	mm (inches)	466 x 111 x 80 (18.3 x 4,37 x 3.15) B-TC400ND-SC 526 x 129 x 81 (20.7 x 5,07 x 3.19) B-TC500ND-SC
Diamètre maxi. de coupe	mm (inches)	40 (1.57") B-TC400ND-SC 52,5 (2") B-TC500ND-SC
Poids avec batterie	kg (lbs)	3,55 (7.81) B-TC400ND-SC 3,91 (8.60) B-TC500ND-SC
Moteur	V ---	18
Température de fonctionnement	°C (°F)	-15 a +50 (+5 a +122)
Huile recommandée		TOTAL DIEKAN 1640 ou équivalents
Avance rapide		l'outil passe automatiquement de la vitesse rapide à la vitesse lente de coupe
Sécurité		valve de surpression
Rangement	type	VAL-M/X1
Dimensioni	mm (inches)	596x396x185 (20.5x17x5)
Poids	kg (lbs.)	4,6 (10.1)
Bruit aérien sonore ⁽¹⁾		
L _{pA}	dB (A)	68,5
L _{pCPeak}	dB (C)	87,3
L _{WA}	dB (A)	75,2
Vibrations ⁽²⁾	m/s ²	a _{hv} 1,015

B-TC400ND-SC



B-TC500ND-SC



⁽¹⁾ Directive 2006/42/CE, annexe 1, point 1.7.4.2, lettre u

L_{pA} = niveau de pression sonore continue équivalente pondérée A sur le poste de travail.

L_{pCPeak} = valeur de pression sonore instantanée pondérée C sur le poste de travail.

L_{WA} = niveau de puissance acoustique dégagée par la machine.

⁽²⁾ L'émission de vibrations lors de l'utilisation réelle de l'outil peut différer de la valeur totale déclarée en fonction de la manière dont l'outil est utilisé et la nécessité d'identifier des mesures de sécurité pour protéger l'opérateur basées sur une estimation de l'exposition dans les conditions réelles d'utilisation et l'estimation de l'exposition doit tenir compte de toutes les phases du cycle de fonctionnement, y compris les moments où l'outil est éteint et ceux où il tourne au ralenti.

FR

2. UTILISATION CONFORME

- L'appareil est un outil hydraulique destiné exclusivement à la coupe des conducteurs dont la nature et la section sont indiquées dans le paragraphe 1 «Domaine d'application».
- Toute autre utilisation est considérée comme inappropriée. Le fabricant/fournisseur n'est pas responsable des dommages résultant d'une utilisation inappropriée; le risque est entièrement la responsabilité de l'utilisateur.
- L'appareil a été fabriqué conformément à l'état actuel de la technique et aux règles et normes techniques de sécurité communément admises. Néanmoins, les risques pour la vie et l'intégrité physique de l'utilisateur ou de tiers, ainsi que les dommages causés à l'appareil et à d'autres biens matériels, ne peuvent être totalement exclus lors de son utilisation.
- L'appareil ne peut être utilisé qu'en parfait état technique, conformément à l'usage auquel il est destiné, en étant conscient des dangers, en veillant à garantir la sécurité et en respectant les instructions.
- Le concept d'utilisation conforme comprend également le respect des instructions, y compris les recommandations/normes d'entretien fournies par le fabricant.

AVIS DE NON-RESPONSABILITÉ: PRODUITS DESTINÉS À UN USAGE PROFESSIONNEL

Les produits Cembre sont destinés aux utilisateurs professionnels (B2B); l'applicabilité des règles de protection destinées aux consommateurs, y compris celles relatives à la garantie, est expressément exclue. Pour toute information relative aux conditions de vente et de garantie des produits, se référer au site Internet du fabricant www.cembre.com.

La vente des produits Cembre sur des plateformes accessibles aux consommateurs est expressément interdite et les contrevenants à cette interdiction seront civilement et pénalement responsables vis-à-vis des tiers et des autorités compétentes.

Définitions: Consignes de sécurité

Les termes d'avertissement susceptibles d'être utilisés dans ce document sont listés et définis ci-dessous. Les termes d'avertissement indiquent le type, la gravité et les conséquences pouvant découler du non-respect des consignes de sécurité.

DANGER

indique une situation de risque imminent qui, si elle n'est pas évitée, provoque la mort ou des blessures corporelles graves.

AVERTISSEMENT

indique une situation de risque potentiel qui, si elle n'est pas évitée, peut provoquer la mort ou des blessures corporelles graves.

ATTENTION

indique une situation de risque potentiel qui, si elle n'est pas évitée, pourrait provoquer des blessures corporelles de légères à moyennes.

AVIS

indique des informations importantes ou des procédures à suivre qui, si elles ne sont pas suivies, n'entraînent pas de blessures corporelles mais peuvent provoquer des dommages matériels.

AVERTISSEMENT **Veillez lire tous les avertissements de sécurité, les instructions, les illustrations et les spécifications fournis**

avec cet outil.

Tout non-respect de toutes les instructions peut provoquer des dommages matériels et/ou des blessures graves.

Veillez conserver tous les avertissements et instructions afin de pouvoir vous y reporter plus tard.

3. INSTRUCTIONS D'UTILISATION

L'ensemble comprend:

- Coupe-câble hydraulique.
- Batterie rechargeable Li-Ion.
- Chargeur de batterie (différent en fonction de la version de l'outil).
- Bandoulière.
- Coffret de rangement.
- Câble USB.

L'outil peut être transporté facilement grâce à sa poignée et à la bandoulière fixée aux deux œillets de la dragonne.

AVIS Avant de commencer toute opération, contrôler l'état de charge de la batterie et, si nécessaire, la recharger en suivant les instructions contenues dans le manuel d'utilisation du chargeur de batteries (voir § 4.1).

Pour remplacer la batterie, la retirer en appuyant sur le mécanisme de déblocage (Réf. a Fig. 1) puis introduire la nouvelle batterie en la faisant coulisser sur les guides jusqu'au blocage complet.

3.1) Rotation de la tête

- La tête de l'outil pivote par rapport au corps, permettant à l'utilisateur de travailler dans la meilleure position.

AVIS Ne pas forcer la rotation de la tête, lorsque le circuit hydraulique est sous pression.

3.2) Préparation

- Positionner le câble entre les lames de façon à ce qu'elles soient en correspondance avec la position de coupe souhaitée (Réf. a Fig. 3).

3.3) Avance des lames

- Appuyer sur la gâchette de commande (5) (Réf. a Fig. 3) pour mettre en marche le groupe moteur-pompe; le piston amène rapidement les lames au contact du câble à couper.
- La gâchette de commande relâchée, le moteur et l'avance des lames cessent immédiatement.

AVIS S'assurer que les lames sont bien positionnées sur la zone à couper, sinon desserrer les lames en suivant les instructions du § 3.6 et repositionner le câble.

3.4) Coupe

- Tenez l'outil fermement et appuyez sur la gâchette de commande (5) pour mettre en marche le moteur; le piston fait avancer les lames progressivement jusqu'à ce que le câble soit coupé complètement.
- Relâchez la gâchette de commande (5) lorsque la coupe est effectuée.

3.5) Led

Lors de l'actionnement de l'outil, la zone de travail est éclairée au moyen de deux LED haute luminosité qui s'éteignent automatiquement à la fin du cycle.

3.6) Réouverture des lames

En appuyant à fond sur la gâchette de déblocage (10), on provoque le retour du piston et par conséquent l'ouverture de la lame inférieure.

AVIS Il peut arriver parfois qu'en appuyant sur la gâchette de déblocage (10), le piston revienne complètement mais que les lames restent bloquées par des brins de câbles. Il faudra alors les débloquer en donnant des petits coups avec un maillet en caoutchouc; actionnez ensuite l'outil jusqu'au déclenchement de la valve de surpression de manière de raccrocher les lames sur le piston et appuyez à nouveau sur la la gâchette de déblocage.

3.7) Utilisation du chargeur de batterie

Suivre attentivement les instructions indiquées sur le manuel.

4. BATTERIE ET CHARGEUR

Avertissements de sécurité concernant les batteries:



- Protéger les batteries contre l'eau et l'humidité !
- Ne pas exposer les batteries au feu !



- Une batterie défectueuse peut occasionner une fuite de liquide légèrement acide et inflammable !
- En cas de fuite d'acide de batterie et de contact avec la peau, rincer immédiatement et abondamment à l'eau. En cas de projection dans les yeux, les laver à l'eau propre et consulter immédiatement un médecin!



- Une fois les batteries arrivées en fin de vie, toujours les recycler.
- Ne jamais jeter les batteries dans les déchets domestiques, il convient de les remettre aux centres de collecte agréés en vue de leur élimination.

- Ne pas utiliser de batteries défectueuses ou déformées !
- Ne pas ouvrir les batteries !
- Ne pas toucher ni court-circuiter entre eux les contacts d'une batterie.
- Si la machine est défectueuse, retirer la batterie de la machine.
- Pour transporter la machine, enlever la batterie.

L'outil peut être équipé d'une batterie de 2,0 Ah ou de 5,2 Ah:

Batterie rechargeable	type	CB1820L (Li-Ion)	CB1852L (Li-Ion)
Caractéristiques	V / Ah / Wh	18 / 2.0 / 36	18 / 5.2 / 93.6
Poids	kg (lbs)	0,4 (0.9)	0,66 (1.45)

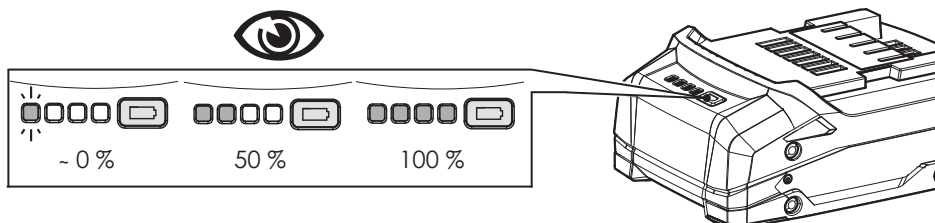
4.1) Autonomie de la batterie

- La batterie est équipée d'indicateurs à LED qui permettent de contrôler, à tout moment, son autonomie résiduelle en appuyant sur le bouton:

1 led clignotante: autonomie minimale, remplacer la batterie

2 led allumées: autonomie à 50 %

4 led allumées: autonomie maximale



- Uniquement pour les outils équipés d'un écran, lorsque la batterie est insérée dans l'outil, il est possible de vérifier l'autonomie résiduelle à partir de l'écran en appuyant sur la touche tactile:



AVIS L'écran ci-dessous indique que la batterie est déchargée et que sa tension est descendue au-dessous du seuil minimal de sécurité; dans cette situation, l'outil ne démarre pas, il est donc nécessaire de recharger ou de remplacer la batterie.



- Pour remplacer la batterie, la retirer en appuyant sur le mécanisme de déblocage, puis introduire la nouvelle batterie en la faisant coulisser sur les guides jusqu'au blocage complet.

4.2) Utilisation du chargeur de batterie

Selon le modèle, l'outil peut être équipé de l'un des chargeurs suivants:

Chargeur de batterie	type	ASC55-EU	ASC55-UK	ASC55-AUS/NZ	ASC55-USA/CA
Alimentation	V / Hz	220 - 240 / 50 - 60			115 / 60
Pouissance	W	85			
Fiche d'alimentation	type	EU - type C	UK - type G	AUS - type I	US - type A

Suivre attentivement les instructions indiquées sur le manuel.

À titre indicatif, le délai de recharge complète de la batterie correspond à:

- environ 40 minutes pour les batteries CB1820L
- environ 100 minutes pour les batteries CB1852L

5. ENTRETIEN

⚠ AVERTISSEMENT Risque électrique - Retirer la batterie de l'outil avant d'effectuer toute opération d'entretien. Toujours débrancher le chargeur après usage.

⚠ AVERTISSEMENT Risque chimique - Ne pas démonter la batterie ou l'outil.

AVIS Contacter un centre d'assistance CEMBRE en cas de besoin.

FR

L'outil est robuste, complètement scellé et ne nécessite aucune préoccupation ou attention particulier. Les recommandations qui suivent sont néanmoins souhaitables pour assurer une longévité optimum.

5.1) Nettoyage élémentaire

Veiller à protéger l'outil de la poussière, du sable et de la boue qui sont un danger à tout système hydraulique. Chaque jour après utilisation, l'outil doit être nettoyé à l'aide d'un chiffon propre, tout particulièrement aux endroits de pièces mobiles. Ne jamais utiliser d'hydrocarbures pour le nettoyage des parties en caoutchouc.

5.2) Nettoyage de la poignée en caoutchouc

Pour éviter le cumul des déchets de cisaillement dans la poignée en caoutchouc (3) nous suggérons un nettoyage soigné périodique en repliant le bord de la poignée à proximité des lames et en retirant les éventuels dépôts.

5.3) Rangement

Au repos, pour protéger l'outil des coups accidentels et de la poussière, il convient de le ranger dans le coffret.

5.4) Entretien de routine

Lorsqu'on atteint le nombre prédéterminé d'heures de travail, l'outil va signaler la nécessité d'effectuer l'entretien de routine.

AVIS Après 15 secondes de l'exécution du dernier cycle, la nécessité de procéder à l'entretien de routine est signalée par allumages intermittents répétés trois fois des LED associé à l'avertisseur sonore. L'outil continue par ailleurs à travailler normalement; mais il est recommandé de le renvoyer à CEMBRE pour une révision complète.

6. CHANGEMENT DES LAMES (Voir Fig. 4 et 5)

⚠ AVERTISSEMENT

Risque mécanique - Le changement des lames doit être effectué avec l'outil dépourvu de batterie.

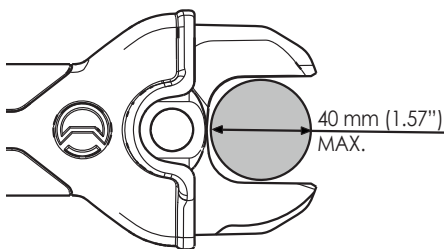
Il peut arriver qu' une utilisation prolongée ou non appropriée cause la perte d'affûtage des lames ou leur endommagement. Le changement des lames est cependant très simple.

- Mettre le moteur en marche jusqu'à ce que les axes de rotation des lames (12) soient visibles (Fig. 4a/5a) et enlever la batterie.
- Démonter les anneaux (13) et retirer les axes (12).
- L'opération peut être facilitée en écrasant légèrement la protection en caoutchouc (3).
- Démonter l'écrou (15) en récupérant la rondelle (16), l'entretoise (17) et les goupilles (18).
- pouvoir retirer l'axe (19), libérant ainsi les lames.
- **B-TC500ND-SC:** Démonter le guide lame (1) et récupérer la vis (14).
- Introduire les nouvelles lames (2) et remonter l'axe (19) avec les goupilles (18).
- Bloquer l'axe (19) avec l'écrou (15), la rondelle (16) et l'entretoise (17).
- Monter les 2 axes (12) et les bloquer par les anneaux (13).
- **B-TC500ND-SC:** Remonter le guide lame (1).
- Une fois ces opération terminées, actionner la gâchette de décompression pour ramener le piston en position de repos.

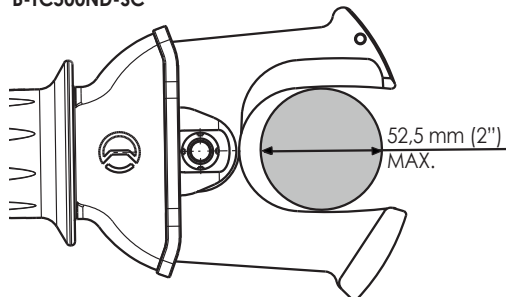
1. ALLGEMEINE EIGENSCHAFTEN

Anwendungsbereich		Geeignet zum Schneiden von Kupfer-, Aluminium- und Telefonkabeln ⚠ Es dürfen keine unter Spannung stehenden Teile geschnitten werden. ⚠ Keinen Stahl schneiden.
Arbeitsdruck	bar (psi)	620 (8,900) B-TC400ND-SC 605 (8,700) B-TC500ND-SC
Abmessungen	mm (inches)	466 x 111 x 80 (18.3 x 4,37 x 3.15) B-TC400ND-SC 526 x 129 x 81 (20.7 x 5,07 x 3.19) B-TC500ND-SC
Max. Schneiddurchmesser	mm (inches)	40 (1.57") B-TC400ND-SC 52,5 (2") B-TC500ND-SC
Gewicht inkl. Akku	kg (lbs)	3,55 (7.81) B-TC400ND-SC 3,91 (8.60) B-TC500ND-SC
Motor	V ---	18
Betriebstemperatur	°C (°F)	-15 a +50 (+5 a +122)
Empfohlenes Öl		TOTAL DIEKAN 1640 oder ähnliches
Kolbenvorschub		Das Werkzeug ist mit einer Doppelkolbenhydraulik ausgerüstet. Beim Beginn des Arbeitsvorganges wird automatisch auf den langsameren Arbeitshub umgeschaltet
Sicherheit:		Überdruckventil
Lagerung	Typ	VAL-M/X1
Abmessungen	mm (inches)	596x396x185 (20.5x17x5)
Gewicht	kg (lbs.)	4,6 (10.1)
Lärmschutzbestimmung ⁽¹⁾		
L _{pA}	dB (A)	68,5
L _{pCPeak}	dB (C)	87,3
L _{WA}	dB (A)	75,2
Vibrationen ⁽²⁾	m/s ²	a _{hv} 1,015

B-TC400ND-SC



B-TC500ND-SC



⁽¹⁾ Richtlinie 2006/42/EG, Anhang 1, Nummer 1.7.4.2, Buchstabe u

L_{pA} = Stufe konstanter Emissionsschalldruckpegel entsprechend Gewichtung A am Arbeitsplatz.

L_{pCPeak} = maximaler Emissionsschalldruckpegel entsprechend Gewichtung C am Arbeitsplatz.

L_{WA} = Emissionsschalldruckpegel durch das Gerät

⁽²⁾ Die Schwingungen bei der tatsächlichen Verwendung des Werkzeugs können vom angegebenen Gesamtwert abweichen, je nachdem wie das Werkzeug eingesetzt wird und ob Sicherheitsmaßnahmen zum Schutz des Bedieners festgelegt werden müssen, die auf einer Abschätzung der Exposition unter den tatsächlichen Einsatzbedingungen beruhen.

2. BESTIMMUNGSGEMÄSSE VERWENDUNG

- Das Gerät ist ein hydraulisches Werkzeug, das ausschließlich zum Schneiden von Leitern, die mit ihrem jeweiligen Querschnitt Punkt 1 „Anwendungsbereich“ angegeben sind, bestimmt ist.
- Jede andere Verwendung wird als unsachgemäß betrachtet. Der Hersteller Lieferant haftet nicht für Schäden, die durch einen unsachgemäßen Gebrauch entstehen, das Risiko trägt allein der Benutzer.
- Das Gerät wurde nach dem aktuellen Stand der Technik und den allgemein anerkannten, sicherheitstechnischen Regeln und Normen hergestellt. Dennoch können bei der Verwendung, eine Verletzungsgefahr für den Anwender oder Dritte sowie Schäden am Gerät und an anderen Sachgütern nicht vollständig ausgeschlossen werden.
- Das Gerät darf nur in technisch einwandfreiem Zustand und bestimmungsgemäß verwendet werden, zudem muss sich der Anwender der Gefahren bewusst sein, sicherheitsbewusst vorgehen und sich an die Bedienungsanleitung halten.
- Zur bestimmungsgemäßen Verwendung gehört auch die Einhaltung der Anweisungen, einschließlich der vom Hersteller angeführten Wartungsempfehlungen/ Normen.

HAFTUNGSAUSSCHLUSS: PRODUKTE FÜR DEN GEWERBLICHEN GEBRAUCH

Die Produkte von Cembre sind für gewerbliche Anwender (B2B) bestimmt: die Anwendbarkeit der Verbraucherschutzvorschriften, einschließlich der gesetzlichen Gewährleistungsbestimmungen, wird ausdrücklich ausgeschlossen. Alle Informationen zu Verkaufsbedingungen und Produktgarantie finden Sie auf der Website des Herstellers unter www.cembre.com.

Der Verkauf von Cembre-Produkten über für Verbraucher zugängliche Kanäle ist ausdrücklich untersagt. Personen, die gegen dieses Verbot verstoßen, übernehmen die gesamte zivil- und strafrechtliche Verantwortung gegenüber Dritten sowie den zuständigen Behörden.

Definitionen: Sicherheitsrichtlinien

Nachfolgend sind die in diesem Dokument verwendeten Hinweiswörter aufgeführt und erläutert. Diese Hinweiswörter beschreiben die Art, den Schweregrad und die möglichen Folgen, die aus der Nichtbeachtung der Sicherheitsmaßnahmen resultieren können.

GEFAHR

kennzeichnet eine Situation mit unmittelbarer Gefahr, die bei Nichtvermeidung zum Tod oder schweren Verletzungen führt.

WARNUNG

kennzeichnet eine Situation mit möglicher Gefahr, die bei Nichtvermeidung zum Tod oder schweren Verletzungen führen kann.

VORSICHT

kennzeichnet eine Situation mit möglicher Gefahr, die bei Nichtvermeidung zu leichten oder geringfügigen Verletzungen führen kann.

ACHTUNG

kennzeichnet wichtige Informationen oder einzuhaltende Verfahren, die keine Verletzungen verursachen, aber bei Nichtbeachtung zu Sachschäden führen können.

WARNUNG

Lesen Sie alle mit diesem Gerät gelieferten Sicherheitshinweise, Anweisungen, Erläuterungen und Spezifikationen sorgfältig durch.

Die Nichtbeachtung dieser Anweisungen kann zu Sachschäden, und/oder schweren Verletzungen führen.

Bewahren Sie alle Warnhinweise und Anweisungen zum späteren Nachschlagen auf.

3. BEDIENUNGSHINWEISE

Zum Lieferumfang gehören folgende Teile:

- Hydraulisches Akku-Schneidwerkzeug
- wiederaufladbare Li-Ion Akku
- Ladegerät (entsprechend der Länderkonfiguration)
- Trageriemen
- Koffer
- USB-Kabel

Das Werkzeug kann bequem getragen werden, entweder am Griff, oder am Handtrageriemen.

ACHTUNG Überprüfen Sie vor jedem Arbeitsvorgang den Ladezustand der Akkus und laden Sie bei Bedarf die Akkus entsprechend den Anweisungen in der Bedienungsanleitung des Akkuladegerätes auf (siehe Pkt. 4.1).

Drücken Sie für den Akkuaustausch auf die Entriegelung (siehe Bild 1) und führen Sie den neuen Akku bis zum Einrasten ein.

3.1) Drehbewegung des Kopfes

Das Werkzeug ist mit einem Kopf ausgerüstet, der drehbar ist und somit ein komfortables Arbeiten ermöglicht.

ACHTUNG Der Kopf darf keinesfalls in eine andere Position gedreht werden, während das Werkzeug unter Druck steht.

3.2) Vorbereitung

- Das zu schneidende Seil am gewünschten Schnittpunkt zwischen den Schneidmessern positionieren (siehe Bild 3).

3.3) Schneidvorgang

- Durch Drücken des Startknopfes (5) (siehe Bild 3), wird der Pumpenmotor gestartet, wobei sich die Schneidmesser dem Kabel/Seil annähern.
- Das Zusammenfahren der Schneidmesser, kann durch Loslassen des Startknopfes (8) gestoppt werden.

ACHTUNG Auf diese Weise kann kontrolliert werden, ob sich die Schneidmesser genau am gewünschten Schnittpunkt befinden. Ist dies nicht der Fall, sind die Schneidmesser zu öffnen und erneut zu positionieren (siehe Pkt. 3.6).

3.4) Schneiden

- Halten Sie das Werkzeug gut fest, durch Drücken des Startknopfes (5), beginnt der Motor zu arbeiten, und der Kolben lässt das Schneidmesser allmählich zusammenfahren, bis das Kabel/Seil vollständig geschnitten ist.
- Ist der Schnitt ausgeführt, den Startknopf (5) loslassen.

3.5) LED

Während der Betätigung des Werkzeugs wird der Schneidbereich von zwei LED-Arbeitsleuchten mit hoher Helligkeit ausgeleuchtet, die sich am Ende des Zyklus automatisch abschalten.

3.6) Zurückfahren des Schneidmessers

Drücken Sie kräftig des Druckablassknopf, der sich unterhalb des Startknopfes befindet.

Dadurch fährt der Kolben zurück und das Schneidmesser gibt das Kabel / Seil frei.

ACHTUNG Manchmal kann es beim Betätigen des Druckablassknopf vorkommen, dass der Kolben vom Werkzeug zurückfährt, aber die Schneidmesser nicht aufgehen.

Das ist der Fall, wenn feine Adern des Kabels sich zwischen den Schneidmessern verklemmt haben. Miteinem Gummihammer die Schneidmesserlösen. Anschließend das Werkzeug bis zur Druckabschaltung betätigen. Die Schneidmesser rasten auf dem Kolben des Werkzeuges wieder ein. Anschließend den Druckablassknopf betätigen. Das Werkzeug kann nun wieder weiter verwendet werden.

3.7) Verwendung des Ladegerätes

Die in der Bedienungsanleitung angegebenen Hinweise sind zu beachten.

4. AKKU UND LADEGERÄT

Sicherheitshinweise für Akkus:



- Akkus vor Nässe schützen!
- Akkus von Feuer fernhalten!



- Aus defekten Li-Ion Akkus kann eine leicht saure, brennbare Flüssigkeit austreten!
- Falls Akkufflüssigkeit austritt und mit der Haut in Berührung kommt, spülen Sie sofort mit reichlich Wasser. Falls Akkufflüssigkeit in Ihre Augen gelangt, waschen Sie sie mit sauberem Wasser aus und begeben Sie sich unverzüglich in ärztliche Behandlung!



- Verbrauchte Akkus stets dem Recycling zuführen.
- Verbrauchte Akkus nicht der allgemeinen Abfallentsorgung zuführen.

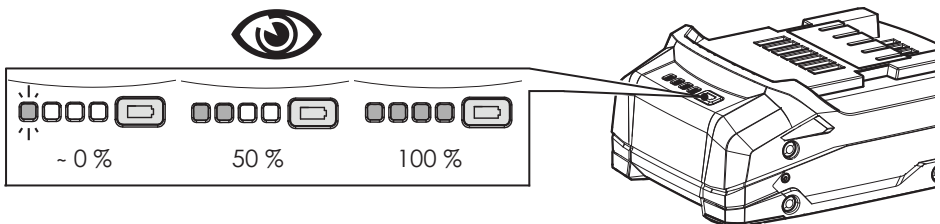
- Keine defekten oder deformierten Akkus verwenden!
- Akkus nicht öffnen!
- Kontakte der Akkus nicht berühren oder kurzschließen!
- Bei einer defekten Maschine, Akku aus der Maschine entnehmen.
- Für den Transport der Maschine, Akku aus der Maschine entnehmen.

Das Gerät kann mit einem 2,0 Ah oder 5,2 Ah Akku ausgestattet werden:

Wiederaufladbarer Akku	Typ	CB1820L (Li-Ion)	CB1852L (Li-Ion)
Eigenschaften	V / Ah / Wh	18 / 2.0 / 36	18 / 5.2 / 93.6
Gewicht	kg (lbs)	0,4 (0.9)	0,66 (1.45)

4.1) Akkuladung

- Der Akku ist mit LED-Anzeigen ausgestattet, die jederzeit über die verbleibende Akkuladung Auskunft gibt, indem man auf die Taste drückt:
 - 1 LED blinkend: Minimale Ladung, Akku austauschen bzw. aufladen
 - 2 LED eingeschaltet: Ladung bei 50 %
 - 4 LED eingeschaltet: Maximale Ladung



- Nur bei Werkzeugen die mit einem Display ausgestattet sind, kann bei eingelegtem Akku die verbleibende Akkulaufzeit auch auf dem Display überprüft werden, und zwar über die Auswahl Taste:



ACHTUNG Das Display zeigt an, dass die Batteriespannung unter eine minimale Sicherheitsschwelle gesunken ist; unter diesen Bedingungen lässt sich das Werkzeug nicht mehr starten. Laden Sie den Akku auf oder tauschen Sie ihn aus.

DE



- Drücken Sie für den Akkuaustausch auf die Entriegelung und führen Sie den neuen Akku bis zum Einrasten ein.

4.2) Verwendung des Ladegerätes

Je nach Modell kann das Gerät mit einem der folgenden Ladegeräte ausgestattet werden:

Akkuladegerät	Typ	ASC55-EU	ASC55-UK	ASC55-AUS/NZ	ASC55-USA/CA
Spannung	V / Hz	220 - 240 / 50 - 60			115 / 60
Kraft	W	85			
Netzstecker	Typ	EU - Typ C	UK - Typ G	AUS - Typ I	US - Typ A

Die in der Bedienungsanleitung gegebenen Hinweise sind zu beachten.

Ein vollständiger Ladevorgang eines leeren Akkus dauert:

- etwa 40 Minuten für den Akku CB1820L
- etwa 100 Minuten für den Akku CB1852L

5. WARTUNG

⚠️ WARNUNG Elektrische Gefahr – Entfernen Sie den Akku aus dem Werkzeug, bevor Sie Wartungsarbeiten durchführen. Trennen Sie das Ladegerät nach Gebrauch immer vom Stromnetz.

⚠️ WARNUNG Chemische Gefahr – Zerlegen Sie den Akku oder das Werkzeug nicht.

ACHTUNG Wenden Sie sich bei Bedarf an ein CEMBRE-Kundendienstzentrum.

Das Werkzeug ist robust und benötigt keine spezielle Pflege.
Zur Erhaltung der Garantieansprüche beachten Sie folgende Hinweise.

5.1) Pflege

Dieses hydraulische Werkzeug sollte vor starker Verschmutzung geschützt werden, da dies für ein hydraulisches System gefährlich ist. Nach jeder täglichen Anwendung sollte das Werkzeug mit einem Tuch von Schmutz und Staub gereinigt werden, besonders die beweglichen Teile. Verwenden Sie keine Kohlenwasserstoffe (z.B. Teilereiniger, Bremsenreiniger) zum Reinigen der Gummiteile.

5.2) Reinigung der Gummimanschette

Um eine einwandfreie Funktion des Werkzeuges zu gewährleisten, ist in regelmäßigen Abständen die Gummimanschette (3) zu reinigen. Es ist dabei auch auf Rückstände in der Manschette, in den Ecken und Rillen zu achten.

5.3) Lagerung

Wird das Werkzeug nicht benötigt, sollte es in dem Koffer gelagert werden, um es so gegen Beschädigungen wie Stöße und Staub zu schützen.

5.4) Wartung

Sobald die vorgegebene Anzahl der maximalen Arbeitsstunden erreicht sind, signalisiert das Werkzeug die damit fällige Wartung.

ACHTUNG Das Gerät arbeitet weiter, aber 15 Sekunden nach der Benutzung ertönt ein Alarm mit 3 Pieptönen in Verbindung mit dem Aufleuchten der Arbeitsscheinwerfer, der darauf hinweist, dass das Gerät zur Wartung an CEMBRE geschickt werden sollte.

6. SCHNEIDMESSER WECHSELN (siehe Bild 4 und 5)

⚠ WARNUNG

Mechanisches Gefahr – Der Wechsel der Schneidmesser muss immer mit ausgebautem Akku erfolgen.

Nach längerem Gebrauch oder nach Anwendungsfehlern kann es zu Abnutzungen Beschädigungen, Unschärfe an den Messern kommen. Bei einem Wechsel sollten Sie wie folgt vorgehen:

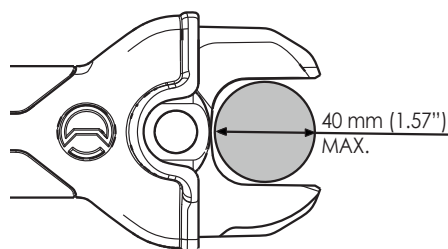
- Den Kolben durch betätigen des Startknopfes vorfahren, so dass die Messerbolzen (12) zu sehen sind (Bild 4a/5a) und entfernen Sie den Akku.
- Entfernen Sie den Sicherungsring (13) und ziehen Sie den Bolzen (12) raus. Dazu ist es hilfreich den Gummigriff (3) nach hinten zu ziehen.
- Entfernen Sie die Mutter (15) und entnehmen sie die Unterlegscheiben (16) und Abstandhalter (17) Entfernen Sie die beiden Stifte (18) am Bolzen (19) und dann können die Messer vollständig lösen.
- **B-TC500ND-SC:** Entfernen Sie die Messerführung (1) und legen Sie die Schraube (14) auf die Seite.
- Setzen Sie die neue Schneidmesser (2) ein und führen Sie den Bolzen (19) mit den Stiften (18) ein.
- Sichern Sie den Bolzen (19) durch Montage der Mutter (15) komplett mit Scheibe (16) und Abstandhalter (17).
- Montieren Sie die zwei Bolzen (12) mit den Sicherungsringen (13).
- **B-TC500ND-SC:** Montieren Sie die Messerführung (1) und Schraube (14).
- Als letztes den Druckablassknopf betätigen so das der Kolben komplett zurückfährt.

DE

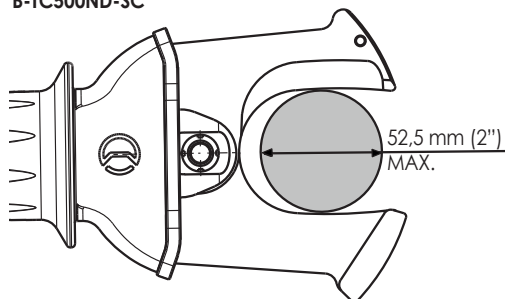
1. CARACTERÍSTICAS GENERALES

Campo de aplicación		idónea para cortar cables de cobre, aluminio así como de telecomunicaciones ⚠ No cortar conductores o cables con tensión eléctrica. ⚠ No cortar acero.
Presión de trabajo	bar (psi)	620 (8,900) B-TC400ND-SC 605 (8,700) B-TC500ND-SC
Dimensiones	mm (inches)	466 x 111 x 80 (18.3 x 4,37 x 3.15) B-TC400ND-SC 526 x 129 x 81 (20.7 x 5,07 x 3.19) B-TC500ND-SC
Diámetro max. de corte	mm (inches)	40 (1.57") B-TC400ND-SC 52,5 (2") B-TC500ND-SC
Peso con batería	kg (lbs)	3,55 (7.81) B-TC400ND-SC 3,91 (8.60) B-TC500ND-SC
Motor	V ---	18
Temperatura de funcionamiento	°C (°F)	-15 a +50 (+5 a +122)
Aceite recomendado		TOTAL DIEKAN 1640 ó equivalentes
Velocidad de avance		una rápida y otra más lenta de trabajo, el paso de una a otra velocidad es automático
Seguridad		válvula de sobrepresión
Almacenamiento	tipo	VAL-M/X1
Dimensiones	mm (inches)	596x396x185 (20.5x17x5)
Peso	kg (lbs.)	4,6 (10.1)
Ruido aéreo ⁽¹⁾		
L _{pA}	dB (A)	68,5
L _{pCPeak}	dB (C)	87,3
L _{WA}	dB (A)	75,2
Vibraciones ⁽²⁾	m/s ²	a _{hv} 1,015

B-TC400ND-SC



B-TC500ND-SC



⁽¹⁾ Directiva Europea 2006/42/CE, anexo 1, punto 1.7.4.2, letra u

L_{pA} = nivel de presión acústica continua equivalente ponderado A en el puesto de trabajo.

L_{pCPeak} = valor máximo de la presión acústica instantánea ponderada C en el puesto de trabajo.

L_{WA} = nivel de potencia acústica emitida por la máquina.

⁽²⁾ La emisión de vibración durante el uso efectivo de la herramienta puede no coincidir con el valor total declarado dependiendo del modo en que se utilice la herramienta y de la necesidad de identificar medidas de seguridad para proteger al operador que estén basadas en una estimación de la exposición en las condiciones reales de uso.

2. USO CONFORME

- El dispositivo es una herramienta hidráulica destinada exclusivamente a cortar conductores de los tipos y secciones indicados en el punto 1 "Campo de aplicación".
- Cualquier uso diferente se considera inadecuado. El fabricante/proveedor no se hace responsable de los daños derivados de un uso inadecuado; el riesgo corre exclusivamente a cargo del usuario.
- El dispositivo está fabricado de acuerdo con el estado actual de la técnica y las normas y reglas técnicas de seguridad comúnmente reconocidas. No obstante, durante su uso no pueden eliminarse por completo los riesgos para la integridad física y la vida del usuario o de terceros, así como los daños al dispositivo y a otros bienes materiales.
- El dispositivo solo debe utilizarse en perfectas condiciones técnicas, de acuerdo con su finalidad prevista, con la debida conciencia de la seguridad y los peligros y respetando las instrucciones.
- El concepto de uso conforme también incluye el cumplimiento de las instrucciones, incluidas las recomendaciones/normas de mantenimiento facilitadas por el fabricante.

ADVERTENCIA: PRODUCTOS PARA USO PROFESIONAL

Los productos Cembre están dirigidos a usuarios profesionales (B2B); por tanto, se excluye expresamente la aplicación de normas de protección de los consumidores, incluidas las referentes a las garantías. Para obtener información sobre las condiciones de venta y garantía de los productos, consultar la página web del fabricante www.cembre.com.

Está terminantemente prohibido vender productos Cembre a través de canales accesibles a los consumidores. Los empleados que incumplan esta prohibición asumirán todo tipo de responsabilidad civil y penal ante terceros y las autoridades competentes.

Definiciones: Directrices de seguridad

A continuación se enumeran y se definen las palabras de aviso que se pueden utilizar en el presente documento. Las palabras de señalización indican el tipo, la gravedad y las consecuencias que pueden derivarse del incumplimiento de las medidas de seguridad.

⚠ PELIGRO

indica una situación de riesgo inminente que, si no se evita, causa la muerte o lesiones personales graves.

⚠ ADVERTENCIA

indica una situación de riesgo potencial que, si no se evita, puede causar la muerte o lesiones personales graves.

⚠ ATENCIÓN

indica una situación de riesgo potencial que, si no se evita, podría causar lesiones personales de entidad leve o moderada.

AVISO

indica información importante o procedimientos a seguir que no comportan lesiones personales y que, si no se evitan, pueden provocar daños materiales.

⚠ ADVERTENCIA

Leer todas las advertencias de seguridad, las instrucciones, las ilustraciones y las especificaciones proporcionadas con esta herramienta.

El incumplimiento de todas las instrucciones puede provocar daños materiales y/o graves lesiones.

Conservar todas las advertencias e instrucciones para utilizarlo como referencia en el futuro.

3. INSTRUCCIONES DE USO

La referencia identifica el conjunto formado por:

- Herramienta hidráulica de corte.
- Batería recargable Li-Ion.
- Cargador de batería (diferente según el modelo de la herramienta).
- Correa de transporte.
- Caja de plástico para almacenaje.
- Cable USB.

La herramienta puede ser transportada fácilmente por medio del asa o la correa para el hombro unida a las dos hebillas de la correa para la muñeca.

AVISO Antes de iniciar cualquier trabajo, compruebe el estado de carga de las baterías. Si es necesario, recárguelas siguiendo las instrucciones del manual de uso del cargador (Ref. al § 4.1).

Para sustituir la batería, retírela pulsando el desbloqueo (Ref. a Fig. 1) y luego inserte la nueva batería deslizándola por las guías hasta su tope.

3.1) Rotación de la cabeza

- La cabeza de la herramienta puede rotar respecto al cuerpo, permitiendo al operario realizar el trabajo en la posición más adecuada.

AVISO No fuerce la cabeza, intentando rotarla, mientras el circuito hidráulico esté presurizado.

3.2) Preparación

- Colocar el conductor entre las cuchillas de manera que éstas se encuentren en el punto de corte deseado (Ref. a Fig. 3).

3.3) Acercamiento de las cuchillas

- Pulse el botón de accionamiento (5) (Ref. a Fig. 3) para poner en marcha el grupo motor-bomba; las cuchillas empiezan a acercarse al conductor.
- Soltando el botón se detienen inmediatamente tanto el motor como el movimiento de las cuchillas.

AVISO Asegúrese de que las cuchillas se encuentran en correspondencia con la zona a cortar; en caso contrario, vuélvala a abrir siguiendo las instrucciones del punto 3.6 y reposicione.

3.4) Corte

- Sostenga firmemente la herramienta y pulse el botón de accionamiento (5), el motor continúa girando; el pistón hará avanzar progresivamente las cuchillas hasta cortar completamente el conductor.
- Cuando el corte está realizado, soltar el botón (5).

3.5) Led

Durante el accionamiento de la herramienta, la zona de trabajo está iluminada por dos led de alta luminosidad que se apagan automáticamente al final del ciclo.

3.6) Reapertura de las cuchillas

Para volver a obtener el retorno del pistón, pulsar el botón de desbloqueo (10), se obtendrá el consiguiente retorno de la cuchilla.

AVISO A veces puede ocurrir que, presionando el botón de desbloqueo (10), el pistón retorne completamente pero las cuchillas no se abran a causa de la presencia de hilos encajados entre las mismas.

Es necesario desbloquearlas dando algunos golpes ligeros con un martillo de goma; después accionar la herramienta hasta el chasquido de la válvula de máxima presión de manera que las cuchillas se enganchen al pistón y entonces presionar el botón de desbloqueo.

3.7) Utilización del cargador de batería

Seguir atentamente las instrucciones detalladas en el manual correspondiente.

4. BATERÍA Y CARGADOR

Advertencias de seguridad relativas a las baterías:



- ¡Proteger las baterías del agua y la humedad!
- ¡No exponer las baterías al fuego!



- De las baterías con litio defectuoso puede salir un líquido ligeramente ácido e inflamable!
- En caso que se observe una pérdida de líquido de la batería y éste entre en contacto con la piel, rápidamente aclarar la zona afectada con agua abundante. Si el líquido de la batería entra en contacto con los ojos, aclarar con agua limpia e inmediatamente dirigirse a un médico para recibir tratamiento.



- Al final de su vida, reciclar siempre las baterías.
- No desechar nunca las baterías en la basura doméstica, ya que deben desecharse en los centros de recogida de residuos correspondientes para su correcta eliminación.

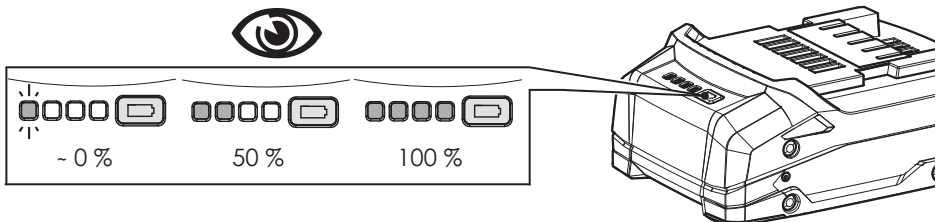
- ¡No utilizar baterías defectuosas o deformadas!
- ¡No abrir las baterías!
- ¡No tocar o poner en cortocircuito los contactos de las baterías!
- Retirar siempre la batería si la maquina está defectuosa.
- Para transportar la maquina retirar la batería.

La herramienta puede equiparse con una batería de 2,0 Ah o 5,2 Ah:

Batería recargable	tipo	CB1820L (Li-Ion)	CB1852L (Li-Ion)
Características	V / Ah / Wh	18 / 2.0 / 36	18 / 5.2 / 93.6
Peso	kg (lbs)	0,4 (0.9)	0,66 (1.45)

4.1) Autonomía de la batería

- La batería está provista de indicadores de led que permiten saber la autonomía restante en cualquier momento pulsando el botón:
 - 1 led parpadeante: autonomía mínima, reemplazar la batería
 - 2 led encendidos: autonomía al 50 %
 - 4 led encendidos: autonomía máxima



- Solo para herramientas con pantallas, con la batería en la herramienta, también es posible verificar la autonomía restante en la pantalla, presionando la tecla táctil:



AVISO La pantalla que sigue indica que la batería está descargada, y que su tensión está por debajo de un punto mínimo de seguridad; en estas condiciones la herramienta no se inicia, proceda a la recarga o a la sustitución de la batería.



- Para sustituir la batería, retírela pulsando el desbloqueo y luego inserte la nueva batería deslizándola por las guías hasta su tope.

4.2) Utilización del cargador de batería

Según el modelo, la herramienta puede equiparse con uno de los siguientes cargadores:

Cargador de batería	tipo	ASC55-EU	ASC55-UK	ASC55-AUS/NZ	ASC55-USA/CA
Alimentación	V / Hz	220 - 240 / 50 - 60			115 / 60
Potencia	W	85			
Enchufe de alimentación	tipo	EU - tipo C	UK - tipo G	AUS - tipo I	US - tipo A

Seguir atentamente las instrucciones detalladas en el manual correspondiente. El tiempo aproximado para recargar completamente una batería descargada es indicativamente de:

- 40 minutos para batería CB1820L
- 100 minutos para batería CB1852L

5. MANTENIMIENTO

⚠ ADVERTENCIA Riesgo eléctrico - Quitar la batería de la herramienta antes de realizar cualquier operación de mantenimiento. Desconectar siempre el cargador después del uso.

⚠ ADVERTENCIA Riesgo químico - No desmontar la batería o la herramienta.

AVISO Contactar con un centro de asistencia CEMBRE en caso de necesidad.

Esta herramienta es robusta, completamente precintada y no requiere cuidados especiales. Para obtener un funcionamiento correcto, bastará tener algunas precauciones sencillas.

ES

5.1) Limpieza adecuada

Tenga presente que el polvo, la arena y la suciedad en general, representan un peligro para toda herramienta hidráulica. Tras cada día de uso, se debe limpiar la herramienta con un trapo limpio, teniendo cuidado de eliminar la suciedad depositada, especialmente junto a las partes móviles.

No use hidrocarburos para la limpieza de las partes de caucho.

5.2) Limpieza de la empuñadura

Para evitar la acumulación de los restos del corte dentro de la empuñadura de goma (3), es aconsejable una atenta limpieza periódica doblando el borde de la empuñadura cerca de las cuchillas y quitando eventuales restos.

5.3) Almacenamiento

Para proteger la herramienta de golpes accidentales y del polvo cuando no se va a utilizar, es conveniente guardarla cerrada en su caja de cierre hermético.

5.4) Mantenimiento ordinario

Alcanzado el número predeterminado de horas de trabajo, la herramienta señalará la necesidad de realizar el mantenimiento ordinario.

AVISO La herramienta continuará trabajando, sin embargo, en el caso de que 15 segundos después de su último uso suenen 3 beeps en combinación con la iluminación led se recomienda enviar la herramienta a CEMBRE para una revisión completa.

6. CAMBIO DE LAS CUCHILLAS (Ref. a Fig. 4 y 5)

⚠ ADVERTENCIA **Riesgo mecánico - El cambio de las cuchillas debe ser efectuado con la herramienta sin batería.**

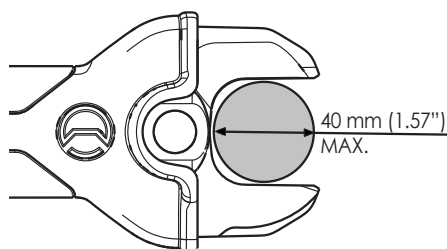
Puede suceder que las cuchillas se estropeen tras un uso prolongado o inadecuado. Para efectuar el cambio de las cuchillas, actúe como sigue:

- Accionar el motor haciendo avanzar el pistón, hasta poner a la vista los pernos de rotación (12) de las cuchillas (Fig. 4a/5a) y quitar la batería.
- Sacar los anillos elásticos (13), y extraer los pernos (12). Para facilitar la operación podría ser necesario redoblar la empuñadura de goma (3).
- Sacar la virola (15), recobrando la arandela (16), los distanciadores (17) y los dos pasadores (18), de manera que se pueda extraer el perno (19), liberando completamente las cuchillas.
- **B-TC500ND-SC:** Desmontar la guía (1) de la cuchilla, guardando el tornillo (14).
- Insertar las nuevas cuchillas (2), y reposicionar correctamente el perno (19), y el resto de pernos (18).
- Bloquear el perno (19), montando la virola (15), junto con la arandela (16), y los distanciadores (17).
- Montar los dos pernos (12) y bloquearlos con los anillos elásticos (13).
- **B-TC500ND-SC:** Reensamblar correctamente la guía (1) de la cuchilla.
- Cuando se concluya la operación, pulsar sobre la palanca de desbloqueo de presión, haciendo retroceder completamente el pistón.

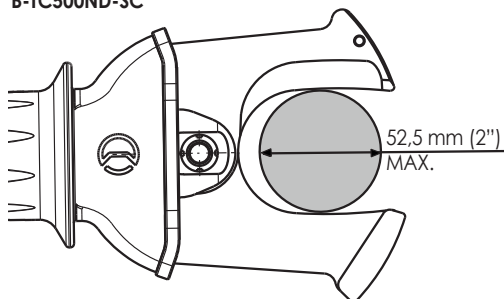
1. CARATTERISTICHE GENERALI

Campo di applicazione		adatto al taglio di conduttori in rame, alluminio o cavi telefonici ⚠ Non tagliare conduttori o corde sotto tensione elettrica. ⚠ Non tagliare acciaio.
Pressione di esercizio	bar (psi)	620 (8,900) B-TC400ND-SC 605 (8,700) B-TC500ND-SC
Dimensioni	mm (inches)	466 x 111 x 80 (18.3 x 4,37 x 3.15) B-TC400ND-SC 526 x 129 x 81 (20.7 x 5,07 x 3.19) B-TC500ND-SC
Diametro max. di taglio	mm (inches)	40 (1.57") B-TC400ND-SC 52,5 (2") B-TC500ND-SC
Peso con batteria	kg (lbs)	3,55 (7.81) B-TC400ND-SC 3,91 (8.60) B-TC500ND-SC
Motore	V ---	18
Temperatura di utilizzo	°C (°F)	-15 a +50 (+5 a +122)
Olio consigliato		TOTAL DIEKAN 1640 o equivalente
Velocità di avanzamento		sono due, una rapida ed una più lenta di lavoro. La commutazione da una all'altra é automatica
Sicurezza		valvola di massima pressione
Custodia	tipo	VAL-M/X1
Dimensioni	mm (inches)	596x396x185 (20.5x17x5)
Peso	kg (lbs.)	4,6 (10.1)
Rumore aereo ⁽¹⁾		
L _{dB}	dB (A)	68,5
L _{pCPeak}	dB (C)	87,3
L _{WA}	dB (A)	75,2
Vibrazioni ⁽²⁾	m/s ²	a _{hv} 1,015

B-TC400ND-SC



B-TC500ND-SC



⁽¹⁾ Direttiva Europea 2006/42/CE, allegato 1, punto 1.7.4.2, lettera u

L_{pA} = livello di pressione acustica continuo equivalente ponderato A nel posto di lavoro.

L_{pCPeak} = valore massimo della pressione acustica istantanea ponderata C nel posto di lavoro.

L_{WA} = livello di potenza acustica emessa dalla macchina.

⁽²⁾ L'emissione di vibrazioni durante l'utilizzo effettivo dell'utensile può variare rispetto al valore totale dichiarato a seconda della modalità d'uso e della necessità di stabilire misure di sicurezza per proteggere l'operatore basandosi su una stima del grado di esposizione nelle effettive condizioni d'uso. La valutazione del grado di esposizione viene eseguita tenendo conto di tutte le fasi del ciclo operativo, compresi i momenti in cui l'utensile è spento oppure al minimo, oltre ai tempi di attivazione effettivi.

2. USO CONFORME

- Il dispositivo è un utensile oleodinamico destinato esclusivamente ad eseguire il taglio di conduttori di natura e sezione definiti al § 1 "Campo di applicazione".
- Ogni altro utilizzo oltre a questo è considerato improprio. Il produttore/fornitore non risponde dei danni derivanti da un uso improprio; il rischio è esclusivamente a carico dell'utente.
- Il dispositivo è stato prodotto secondo lo stato dell'arte attuale e le regole e norme tecniche di sicurezza comunemente riconosciute. Ciononostante, durante il suo utilizzo non è possibile escludere completamente i rischi per l'incolumità fisica e la vita dell'utente o di terze persone, nonché i danni al dispositivo e ad altri beni materiali.
- Il dispositivo può essere utilizzato solo in perfette condizioni tecniche, conformemente allo scopo previsto, con la giusta consapevolezza della sicurezza e dei pericoli e nel rispetto delle istruzioni.
- Il concetto di uso conforme comprende anche l'osservanza delle istruzioni, incluse le raccomandazioni/norme per la manutenzione fornite dal produttore.

DISCLAIMER: PRODOTTI DESTINATI AD UTILIZZO PROFESSIONALE

I prodotti Cembre sono destinati ad utilizzatori professionali (B2B): l'applicabilità delle norme di tutela rivolte ai consumatori, ivi incluse quelle relative alla garanzia, è espressamente esclusa. Per ogni informazione relativa alle condizioni di vendita e di garanzia dei prodotti fare riferimento al sito del fabbricante www.cembre.com. La vendita dei prodotti Cembre attraverso canali accessibili a consumatori è espressamente vietata e i soggetti che contravvengano a tale divieto si assumeranno ogni responsabilità civile e penale nei confronti dei terzi e delle autorità competenti.

Definizioni: Linee guida di sicurezza

Di seguito sono elencate e definite le parole di segnalazione che possono essere utilizzate nel presente documento. Le parole di segnalazione indicano il tipo, la gravità e le conseguenze che possono derivare dalla non osservanza delle misure di sicurezza.

PERICOLO

indica una situazione di rischio imminente che, se non evitata, causa morte o lesioni personali gravi.

AVVERTENZA

indica una situazione di rischio potenziale che, se non evitata, può causare morte o lesioni personali gravi.

ATTENZIONE

indica una situazione di rischio potenziale che, se non evitata, potrebbe causare lesioni personali di minore o modesta entità.

AVVISO

indica informazioni importanti o procedure da seguire che non comportano lesioni personali che, se non evitate, possono provocare danni materiali.

AVVERTENZA **Leggere tutte le avvertenze di sicurezza, le istruzioni, le illustrazioni e le specifiche fornite con questo utensile.**

La mancata osservanza di tutte le istruzioni può provocare danni materiali e/o lesioni gravi.

Conservare tutte le avvertenze e le istruzioni fornite con l'utensile per riferimenti futuri.

3. ISTRUZIONI PER L'USO

La fornitura comprende:

- Utensile oleodinamico da taglio.
- Batteria ricaricabile Li-Ion.
- Caricabatterie (differente in base alla versione dell'utensile).
- Tracolla.
- Valigetta di contenimento.
- Cavo USB.

L'utensile può essere trasportato agevolmente tramite l'impugnatura o la tracolla attaccata ai due occhielli del cinturino da polso.

AVVISO Prima di iniziare qualsiasi lavoro, verificare lo stato di carica delle batterie se necessario ricaricarle seguendo le istruzioni riportate nel manuale d'uso del caricabatterie (Rif. al § 4.1).

Per sostituire la batteria sfilarla premendo il pulsante di sblocco (Rif. a Fig. 1), quindi inserire la nuova facendola scorrere nelle guide, fino al suo blocco.

3.1) Rotazione della testa

- La testa dell'utensile può ruotare rispetto al corpo, permettendo così all'operatore di eseguire il lavoro nella posizione più agevole.

AVVISO Non ruotare la testa forzandola quando l'utensile è in pressione.

3.2) Preparazione

- Posizionare il conduttore tra le lame in modo che queste si trovino in corrispondenza col punto di taglio desiderato (Rif. a Fig. 3).

3.3) Accostamento delle lame

- Premere il pulsante di azionamento (5) (Rif. a Fig. 3) per avviare il gruppo motore-pompa, inizierà così l'avvicinamento delle lame al conduttore.
- Per ottenere l'immediato arresto sia del motore che del movimento delle lame, rilasciare il pulsante di azionamento.

AVVISO Assicurarsi che le lame si trovino esattamente in corrispondenza con il punto di taglio; in caso contrario riaprirle seguendo le istruzioni al § 3.6 e riposizionarle.

3.4) Taglio

- Mantenere l'utensile ben saldo e premere il pulsante di azionamento (5) per avviare il motore, le lame avanzeranno progressivamente fino al completo taglio del conduttore.
- A tranciatura avvenuta, rilasciare il pulsante di azionamento (5).

3.5) Led

Durante l'azionamento dell'utensile, la zona di lavoro è illuminata da due led ad alta luminosità che si spengono automaticamente a fine ciclo.

3.6) Riapertura delle lame

Premere a fondo il pulsante di rilascio (10) per ottenere il ritorno del pistone e il conseguente arretramento della lama inferiore.

AVVISO Talvolta può accadere che, premendo il pulsante di rilascio (10) il pistone arretra completamente ma le lame non si riaprono a causa della presenza di trefoli incastrati tra le lame stesse. Basterà sbloccarle assestandovi alcuni colpi leggeri con un martello in gomma; successivamente azionare l'utensile fino allo scatto della valvola di massima pressione in modo da riagganciare il gruppo lame al pistone, quindi premere il pulsante di rilascio per ottenerne la riapertura.

3.7) Utilizzo del caricabatterie

Seguire attentamente le istruzioni dettagliate sul relativo manuale d'uso.

4. BATTERIA E CARICABATTERIE

Avvertenze di sicurezza riguardanti le batterie:



- Proteggere le batterie dall'acqua e dall'umidità!
- Non esporre le batterie al fuoco!



- Dalle batterie al litio difettose può fuoriuscire un liquido leggermente acido e infiammabile!
- Nel caso in cui si verifichi una perdita di liquido dalla batteria e questo entri in contatto con la pelle, risciacquare subito ed abbondantemente con acqua. Se il liquido della batteria dovesse entrare in contatto con gli occhi, risciacquare con acqua pulita ed affidarsi immediatamente alle cure di un medico.



- A fine vita, riciclare sempre le batterie.
- Mai gettare le batterie nei rifiuti domestici; devono essere conferite agli appositi centri di raccolta per il loro smaltimento.

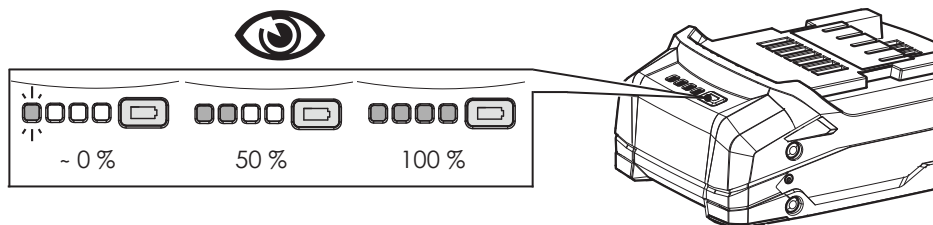
- Non utilizzare batterie difettose o deformate!
- Non aprire le batterie!
- Non toccare o mettere in cortocircuito i contatti delle batterie!
- In caso di guasto al dispositivo, rimuovere la batteria.
- Durante il trasporto del dispositivo rimuovere la batteria.

L'utensile può essere equipaggiato con batteria da 2.0 Ah o 5.2 Ah:

Batteria ricaricabile	tipo	CB1820L (Li-Ion)	CB1852L (Li-Ion)
Caratteristiche	V / Ah / Wh	18 / 2.0 / 36	18 / 5.2 / 93.6
Peso	kg (lbs)	0,4 (0.9)	0,66 (1.45)

4.1) Autonomia della batteria

- La batteria è provvista di indicatori a led che consentono di conoscerne l'autonomia residua in qualsiasi momento, premendo il pulsante adiacente:
 - 1 led lampeggiante: minima autonomia, batteria da ricaricare.
 - 2 led accesi: autonomia al 50 %
 - 4 led accesi: massima autonomia



- Solo per utensili provvisti di display, con batteria inserita nell'utensile è possibile verificare l'autonomia residua anche sul display, agendo sul pulsante a sfioramento:



AVVISO La schermata di seguito indica che la batteria è scarica e che la sua tensione è scesa sotto una soglia minima di sicurezza; in queste condizioni l'utensile non si avvia, procedere quindi alla ricarica o sostituire la batteria.



IT

- Per sostituire la batteria sfilarla premendo lo sblocco, quindi inserire la nuova facendola scorrere nelle guide fino al suo bloccaggio.

4.2) Utilizzo del caricabatterie

A seconda del modello, l'utensile può essere equipaggiato con uno dei seguenti caricabatteria:

Caricabatteria	tipo	ASC55-EU	ASC55-UK	ASC55-AUS/NZ	ASC55-USA/CA
	Ingresso	V / Hz	220 - 240 / 50 - 60		
Potenza	W	85			
Spina alimentazione	tipo	EU - tipo C	UK - tipo G	AUS - tipo I	US - tipo A

Seguire attentamente le istruzioni dettagliate sul relativo manuale d'uso.

Indicativamente il tempo per ricaricare completamente una batteria scarica è:

- 40 min per batterie CB1820L
- 100 min per batterie CB1852L

5. MANUTENZIONE

⚠ AVVERTENZA Rischio elettrico - Rimuovere la batteria dall'utensile prima di eseguire qualsiasi operazione di manutenzione. Scollegare sempre il caricabatteria dopo l'uso.

⚠ AVVERTENZA Rischio chimico – Non smontare la batteria o l'utensile.

AVVISO Contattare un centro assistenza CEMBRE in caso di necessità.

L'utensile è robusto, completamente sigillato e non richiede attenzioni particolari per ottenere un corretto funzionamento basterà osservare alcune semplici precauzioni.

5.1) Accurata pulizia

Tenere presente che la polvere, la sabbia e lo sporco rappresentano un pericolo per ogni apparecchiatura oleodinamica. Dopo ogni giorno d'uso si deve ripulire l'utensile con uno straccio pulito, avendo cura di eliminare lo sporco depositatosi su di esso, specialmente vicino alle parti mobili.

Non usare idrocarburi per la pulizia delle parti in gomma.

5.2) Pulizia dell'impugnatura in gomma

Per evitare l'accumulo degli scarti di tranciatura all'interno dell'impugnatura in gomma (3), è consigliabile un'accurata pulizia periodica ripiegando il bordo dell'impugnatura stessa vicino alle lame, rimuovendo eventuali scarti depositati all'interno.

5.3) Custodia

Per proteggere l'utensile da urti accidentali e dalla polvere, è bene riporlo quando non utilizzato nell'apposita custodia accuratamente chiusa.

5.4) Manutenzione ordinaria

Raggiunto il numero di ore di lavoro prestabilite, l'utensile segnalerà la necessità di effettuare la manutenzione ordinaria.

AVVISO Dopo 15 sec. dall'esecuzione dell'ultimo ciclo, la necessità di effettuare la manutenzione ordinaria viene segnalata dall'accensione intermittente ripetuta tre volte dei led e da un contemporaneo avviso acustico. L'utensile continuerà a funzionare normalmente, se ne consiglia l'invio a CEMBRE per una revisione completa.

6. CAMBIO DELLE LAME (Rif. a Fig. 4 e 5)

⚠ AVVERTENZA **Rischio meccanico - Il cambio delle lame deve essere effettuato con utensile privo di batteria.**

Può accadere che, per uso prolungato o improprio, le lame perdano il filo oppure si danneggino. La sostituzione delle lame vecchie con le nuove é semplice:

- Azionare il motore facendo avanzare il pistone e i perni rotazione lama (12) (Fig. 4a/5a) quindi togliere la batteria.
- Togliere gli anelli elastici (13) e sfilare i perni (12), per facilitare l'operazione potrebbe essere necessario ripiegare l'impugnatura in gomma (3).
- Togliere la ghiera (15), recuperando la rosetta (16), i distanziali (17) e la spina/e (18) in modo da poter sfilare il perno (19), liberando completamente le lame.
- **B-TC500ND-SC:** Smontare il guida lama (1) recuperando la vite (14).
- Inserire le nuove lame (2) e riposizionare correttamente il perno (19) completo di spina/e (18).
- Bloccare il perno (19) montando la ghiera (15) completa di rosetta (16) e distanziali (17).
- Rimontare i due perni (12) bloccandoli con gli anelli elastici (13).
- **B-TC500ND-SC:** Fissare correttamente il guida lama (1) con la vite (14).
- A operazione conclusa agire sul pulsante di rilascio dell'utensile facendo arretrare completamente il pistone.

CONNECTION TO COMPUTER (SMARTOOL TECHNOLOGY)

The memory card integrated in the tool records operating data for transfer via the USB cable supplied.

To view and manage this data, go to www.cembre.com and register in the dedicated area, then download the free CEMBRE software CEM_SWBT01.

Keeping the Firmware of the tool updated, via free of charge download from here, will optimise the tool's performance.

CONNEXION A L'ORDINATEUR (SMARTOOL TECHNOLOGY)

La carte mémoire intégrée dans l'outil permet d'enregistrer les paramètres de fonctionnement et de pouvoir les transférer vers un ordinateur par l'intermédiaire du câble USB fourni. Pour visualiser et gérer les données mémorisées, le logiciel CEMBRE CEM_SWBT01 est disponible gratuitement après enregistrement dans le domaine réservé du site www.cembre.com. Dans ce domaine réservé, il sera alors possible de trouver les mises à jour éventuelles des firmwares permettant à vos propres outils une meilleure efficacité et d'améliorer leurs performances.

ANSCHLUSS AN EINEN COMPUTER (SMARTOOL TECHNOLOGY)

Der im Werkzeug integrierte Speicher ermöglicht es, Betriebsparameter zu erfassen und über das mitgelieferte USB-Kabel auf einen Computer zu übertragen. Zur Datenübertragung und -verwaltung laden Sie nach Registrierung auf www.cembre.com die CEMBRE-Software CEM_SWBT01 herunter. Dort finden Sie auch mögliche Firmware-Updates für die Elektronikplatine des Werkzeugs, um Leistung und Effizienz optimal zu gewährleisten.

CONEXIÓN AL ORDENADOR (SMARTOOL TECHNOLOGY)

La tarjeta de memoria de la herramienta permite grabar los parámetros de funcionamiento y mediante el cable USB suministrado, pasarlos a un ordenador. Para visualizar y gestionar los datos en la tarjeta es necesario utilizar el software CEMBRE CEM_SWBT01, que se encuentra de forma gratuita en la área reservada de la página web www.cembre.com. después la inscripción. En la misma área se pueden encontrar también las actualizaciones del firmware de la tarjeta electrónica, para garantizar el mejor rendimiento de la herramienta obteniendo la máxima eficiencia.

COLLEGAMENTO AL COMPUTER (SMARTOOL TECHNOLOGY)

La scheda di memoria integrata nell'utensile permette di registrare i parametri relativi al funzionamento dell'utensile e di poterli trasferire successivamente ad un computer con il cavo USB fornito in dotazione. Per visionare e gestire i dati della scheda, è necessario il software CEMBRE CEM_SWBT01 disponibile gratuitamente nell'area dedicata del sito www.cembre.com previa registrazione.

In detta area si possono trovare anche eventuali aggiornamenti firmware della scheda elettronica per ottenere dal proprio utensile la massima efficienza, garantendone le migliori prestazioni.

RETURN TO CEMBRE FOR OVERHAUL

For all maintenance or repair requests, please fill out the form available at www.cembre.com on the product page or at the following link:

<https://my.cembre.com/login> (subject to prior registration).

For any other needs, please contact your local distributor or Sales Engineer who will advise you and provide the necessary instructions for returning the product to our warehouse.

ENVOI EN REVISION A CEMBRE

Pour toute demande d'entretien ou de réparation, veuillez remplir le formulaire disponible à l'adresse www.cembre.com sur la page dédiée au produit ou, après inscription, sur le lien suivant: <https://my.cembre.com/login>.

Pour tout autre besoin, n'hésitez pas à contacter votre représentant ou votre agent local qui vous conseillera et vous fournira les instructions nécessaires pour envoyer le produit à notre centre de retour.

EINSENDUNG AN CEMBRE ZUR ÜBERPRÜFUNG

Für Wartungs- oder Reparaturanfragen füllen Sie bitte das entsprechende Formular aus, das Sie auf der Produktseite unter www.cembre.com oder nach Registrierung direkt unter folgendem Link finden: <https://my.cembre.com/login>. Bei sonstigen Anliegen wenden Sie sich bitte an Ihren Händler oder örtlichen Vertreter. Dieser berät Sie gerne und stellt Ihnen die notwendigen Informationen zur Einsendung des Produkts zur Verfügung.

DEVOLUCION A CEMBRE PARA REVISIONES

Para cualquier solicitud de mantenimiento o reparación, rellenar el formulario disponible en www.cembre.com en la página referente al producto o, con registro previo, en el siguiente enlace: <https://my.cembre.com/login>.

Para cualquier consulta, contactar con el departamento comercial o con el agente de la zona, que le facilitará las instrucciones necesarias para el envío del producto a nuestras instalaciones.

INVIO A CEMBRE PER REVISIONE

Per qualsiasi richiesta di manutenzione o riparazione compilare il form disponibile su www.cembre.com nella pagina dedicata al prodotto oppure, previa registrazione, al seguente link: <https://my.cembre.com/login>.

Per ulteriori necessità, contattare il rivenditore di fiducia o l'agente di zona che vi consiglieranno e forniranno le istruzioni necessarie per l'invio del prodotto alla nostra sede.



**DECLARATION OF CONFORMITY -
DECLARATION DE CONFORMITE - KONFORMITÄTSERKLÄRUNG -
DECLARACIÓN DE CONFORMIDAD - DICHIARAZIONE DI CONFORMITÀ**

We Nous Wir Nos Noi: **CEMBRE S.p.A. Via Serenissima, 9 – 25135 Brescia (Italy)**

Declare under our sole responsibility that the product - *Déclarons sous notre seule responsabilité que le produit*

- Erklären in alleiniger Verantwortung dass das Produkt - *Declaramos bajo nuestra responsabilidad que el producto*

- Dichiariamo sotto nostra unica responsabilità che il prodotto:

B-TC400ND-SC B-TC400ND-SCA B-TC400ND-SCE

B-TC500ND-SC B-TC500ND-SCA B-TC500ND-SCE

To which this declaration relates is in conformity with the following standard(s) or other normative document(s) -

Auquel cette déclaration se réfère est conforme à la (aux) norme(s) ou autre(s) document(s) normatif(s) -

Auf dass sich diese Erklärung bezieht, mit der/den folgenden Norm(en) oder dem/den normativen Dokument(en)

über einstimmt - *Al que se refiere esta declaración, cumple la(s) norma(s) u otro(s) documento(s) normativo(s) -*

Al quale si riferisce questa dichiarazione è conforme alla(e) norma(e) o altro(i) documento(i) normativo(i):

EN ISO 12100 EN 62841-1

Following the provisions of EU directive(s) - *Conformément aux dispositions de(s) directive(s) EU -*

Gemäß den Bestimmungen der EU Richtlinien - *De acuerdo con las disposiciones de la(s) directiva(s) EU*

Conformemente alle disposizioni della(e) direttiva(e) EU:

2006/42/EC 2011/65/EU 2014/30/EU

Person authorised to compile the technical file - *Personne autorisée à constituer le dossier technique -*

Person die bevollmächtigt ist, die technischen Unterlagen zusammenzustellen -

Persona facultada para elaborar el expediente técnico - Persona autorizzata a costituire il file tecnico:

Gianluca Cama via Serenissima, 9 – 25135 Brescia (Italy)

Brescia **05-06-2025**



CEMBRE

Felice Albertazzi

CHIEF SALES & MARKETING OFFICER

Cembre S.p.A.



DECLARATION OF CONFORMITY

We: **CEMBRE S.p.A. Via Serenissima, 9 – 25135 Brescia (Italy)**

Declare under our sole responsibility that the product:

B-TC400ND-SC B-TC400ND-SCA B-TC400ND-SCE

B-TC500ND-SC B-TC500ND-SCA B-TC500ND-SCE

To which this declaration relates is in conformity with the following standard(s) or other normative document(s):

EN ISO 12100 EN 62841-1

Following the provisions of the UK Legislation(s):

S.I. 2008/1597 S.I. 2012/3032 S.I. 2016/1091

Brescia **05-06-2025**



CEMBRE

Felice Albertazzi

CHIEF SALES & MARKETING OFFICER

Cembre S.p.A.

NOTE

NOTE

NOTE



www.cembre.com

CEMBRE S.p.A.
via Serenissima, 9
25135 Brescia
Italy
Ph +39 030 36921
ufficio.vendite@cembre.com
sales@cembre.com

CEMBRE Ltd.
Dunton Park, Kingsbury R.
Curdworth, Sutton Coldfield,
West Midlands, B76 9EB
United Kingdom
Ph +44 01675 470440
sales@cembre.co.uk

CEMBRE IE
Unit 9, Airport Trade Park
Santry, co. Dublin Ireland
sales@cembre.ie

CEMBRE S.A.R.L.
Tour Part-Dieu
129 rue Servient
69003 Lyon
France
Tél. +33 04 20 93 01 70
info@cembre.fr

CEMBRE, S.L.U.
Calle Verano 6 y 8
Pl Las Morjas
28850 Torrejón de Ardoz
Madrid - Spain
Ph +34 91 4852580
comercial@cembre.com

CEMBRE GmbH
Geschäftsbereich Energie- und Bahntechnik
Heidemannstr. 166
80939 München - Germany
Ph + 49 89-3580676 info@cembre.de
Geschäftsbereich Industrie und Handel
Boschstraße 7
71384 Weinstadt - Germany
Ph +49 7151-20536-60 info-w@cembre.de

CEMBRE B.V.
Luchthavenweg 53
5657EA Eindhoven
The Netherlands
Ph +31 (0) 40 311 1937
info@cembrenl

CEMBRE, INC.
Raritan Center Business Park
300 Columbus Circle-Suite F
Edison, NJ 08837 USA
Ph +1 (732) 225-7415
sales.us@cembre.com

**Cembre Electrical
Connections Shanghai
Limited**
Room 2111,
Jin Hang Mansion, NO.83
Wan Hang Du Road
Jing An District
Shanghai China
Ph +86-2160195778
info@cembre.cn
sales@cembre.cn



This manual is the property of CEMBRE: any reproduction is forbidden without written permission.
Ce manuel est la propriété de CEMBRE: toute reproduction est interdite sauf autorisation écrite.
Diese Bedienungsanleitung ist Eigentum der Firma CEMBRE.
Ohne vorherige schriftliche Genehmigung darf die Bedienungsanleitung weder vollständig noch teilweise vervielfältigt werden.
Este manual es propiedad de CEMBRE. Toda reproducción está prohibida sin autorización escrita.
Questo manuale è proprietà di CEMBRE: ogni riproduzione è vietata se non autorizzata per scritto.